

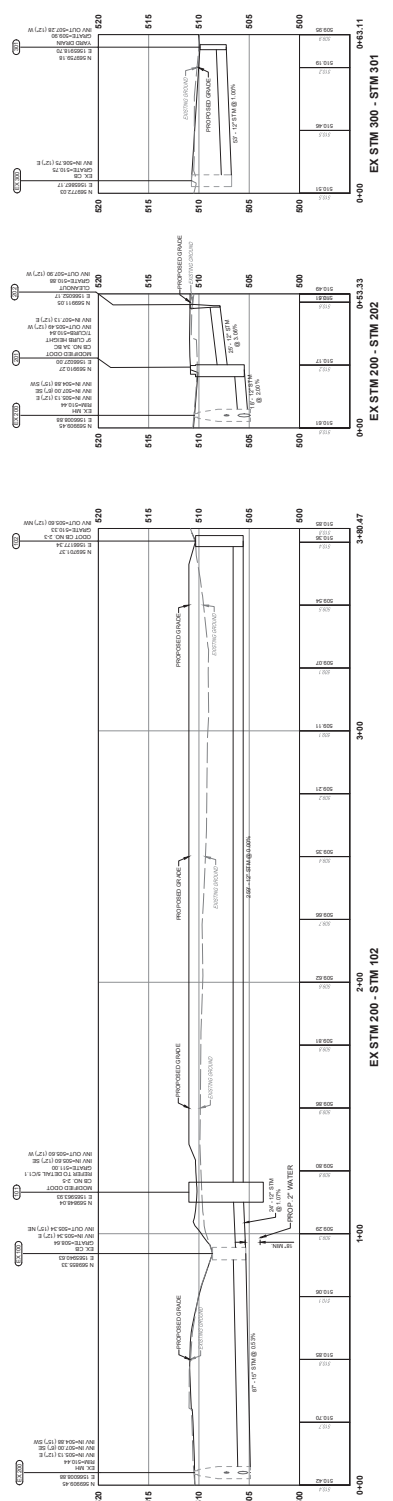


2500 MADISON AVE., COVINGTON, KY, 41014
COVINGTON INDEPENDENT PUBLIC SCHOOLS
HOLMES SOFTBALL COMPLEX

Table with 2 columns: ISSUANCES, and a grid of dates and descriptions.

UTILITY PROFILES

COMMAND: 2023000101
C5.1



UNDESIGNED UTILITIES ARE PLOTTED FROM A SURFACE FINISH TO FINISH. ALL UTILITIES SHOWN ARE BASED ON RECORD DRAWINGS AND FIELD SURVEY. THE CONTRACTOR SHALL VERIFY THE LOCATION AND DEPTH OF ALL UTILITIES PRIOR TO CONSTRUCTION. ANY DISCREPANCIES SHOULD BE REPORTED IMMEDIATELY TO THE DESIGNER. THE CONTRACTOR SHALL BE RESPONSIBLE FOR OBTAINING ALL NECESSARY PERMITS AND RECORDS PRIOR TO CONSTRUCTION.



